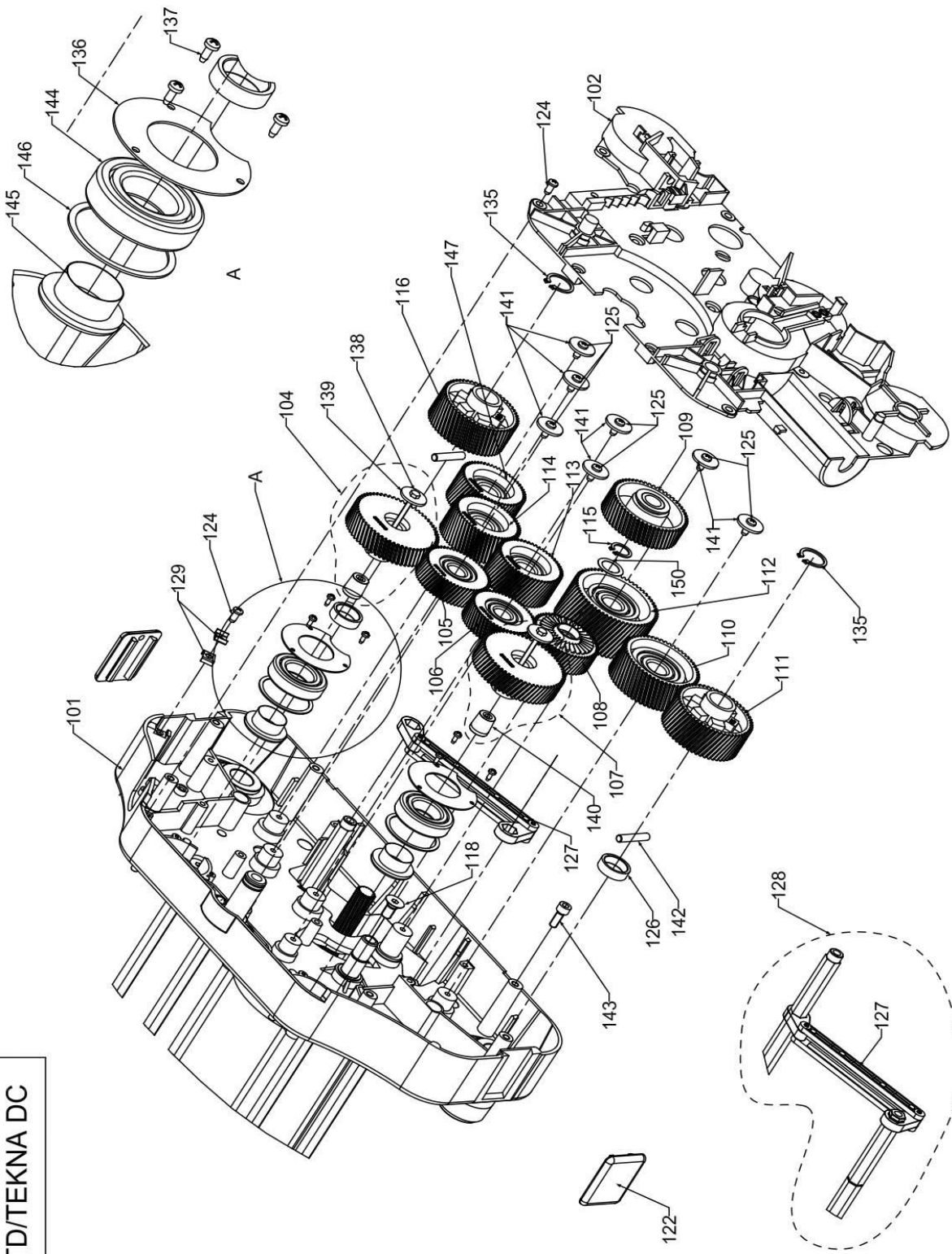


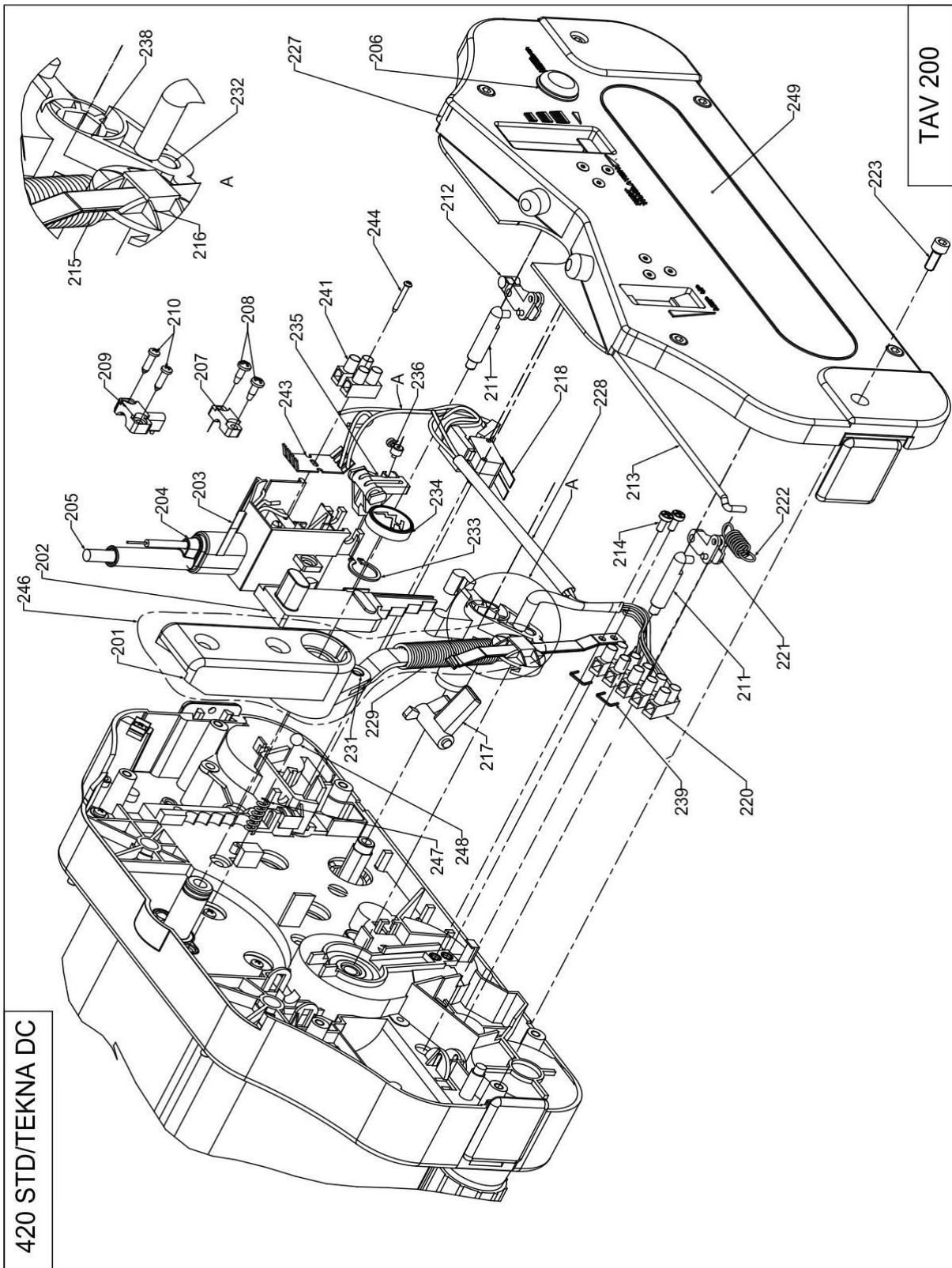
TAV 100

420 STD/TEKNA DC



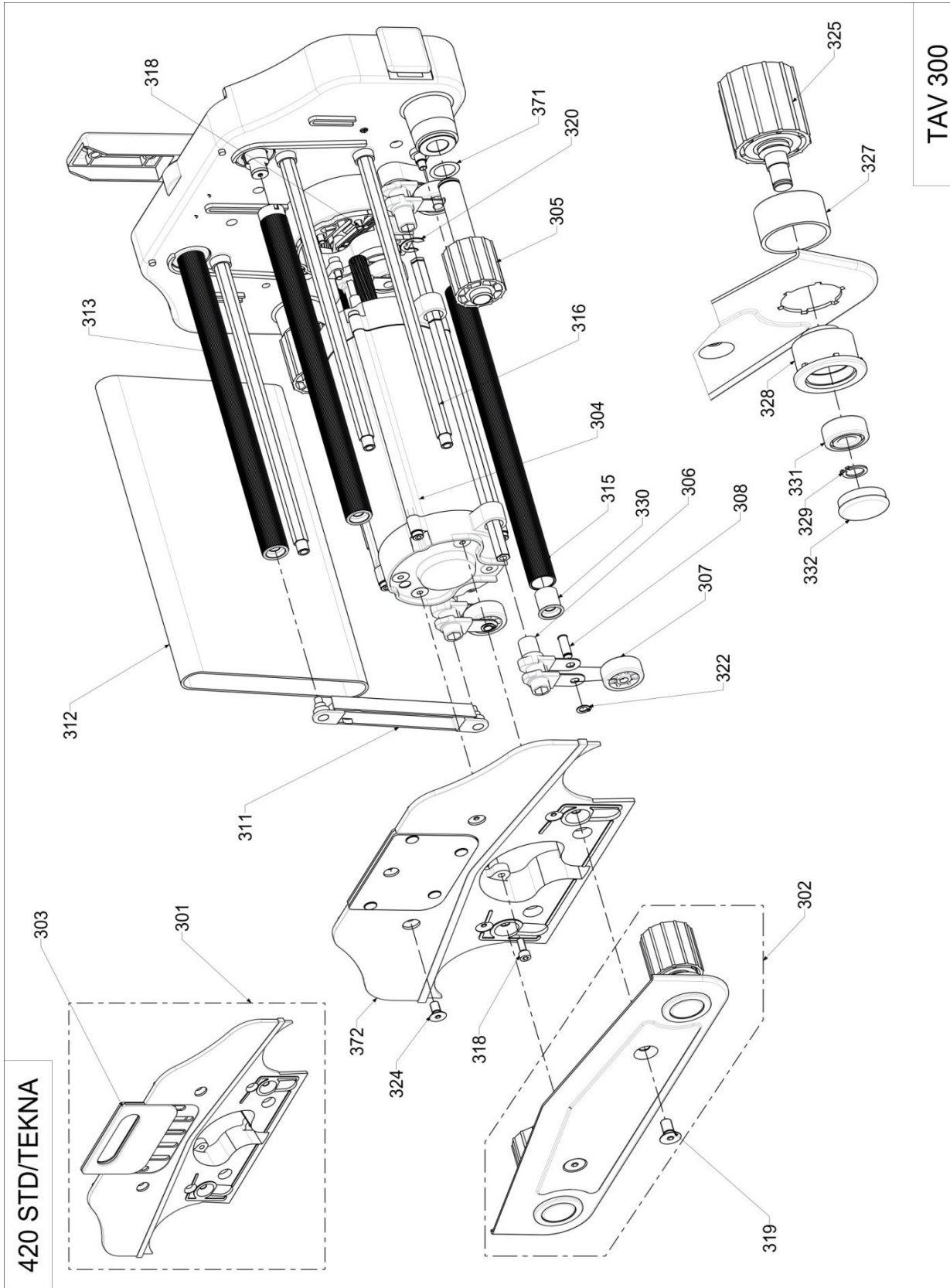
Pos.	Article Code	Description	
101	181015000	MAIN SIDE ELEMENT (CYLINDRICAL BEARING)	FIANCATA PRINCIPALE CON SUPPORTI SPAZZOLA
101	181010240	MAIN SIDE ELEMENT W/B BUSH (AUSTRALIA)	FIANCATA PRINC. CON SUPP. SPAZZOLA (AUS)
102	A42015004_00	INTERNAL CARTER DC	CARTER INTERNO DC
104	060902000	GEAR W/NUT AND WASHER - SP737	INGR. CILIN. MOT. C/VITE-DADO-ROND. SP737
105	054402000	GEAR W/ BEARING. M1,125 Z47 SP803 - PA6	INGRAN. C/CUSC. M1,125 Z47 SP803- PA6
106	064402000	GEAR W/ BEARING. M1,125 Z47 SP740 - PA6	INGRAN. C/CUSC. M1,125 Z47 SP740- PA6
107	050902000	GEAR W/ NUT AND WASHER - SP807	INGR. CILIN. MOT. C/VITE-DADO-ROND. SP807
108	054602000	GEAR W/ BEARING DELRIN SP804	INGRANAGGIO DELRIN C/CUSC. SP804
109	068002000	GEAR W/ BRASS BEARING DELRIN SP739	INGRANAGGIO DELRIN C/BRONZ. SP739
110	065002000	GEAR W/ BEARING PA6. SP1385	INGRANAGGIO PA6 C/CUSC. SP1385
111	054202000	GEAR W/O BEARING PA6. SP1377	INGRANAGGIO PA6 S/CUSC.SP1377
112	058002000	GEAR W/ BEARING PA6. SP 1389	INGRANAGGIO PA6 C/2CUSC. SP1389
113	057003000	GEAR W/ BEARING PA6. SP411	INGRANAGGIO PA6 C/CUSC. SP411
114	064002000	GEAR W/ BEARING PA6. SP412	INGRANAGGIO PA6 C/CUSC. SP412
115	113200000	SEEGER RING Ø14 ISO 7435	ANELLO SEEGER Ø14 ISO 7435
116	064202000	GEAR W/O BEARING. PA6 SP1376	INGRAN. S/CUSC. PA6 SP1376
118	111201000	SCREW TSPEI M8x16 ZN DIN 7991	VITE TSPEI M8x16 ZN DIN 7991
122	131100000	MAIN FRAME BLACK BUMPER	PARACOLPI NERO
124	110400000	SCREW. TC+ PH M5x10 ZN DIN 7500 C	VITE TRILOB. TC+ PH M5x10 ZN DIN 7500 C
125	110600000	SCREW TC M5X12 ZN	VITE AUTOFORMANTE TC M5X12 ZN
126	A42001003_00	SPACER KIT	ASSIEME SPESSORI SUPPORTO SPAZZOLA
127	180801000	WHEEL LEVER MECHANISM	LEVISMO RUOTE ASSIEMATO
128	012002000	LEVER MECHANISM 420-350 W/ SHAFTS	LEVISMO RUOTE 420 C/ALBERI
129	113901000	TERMINAL CONTACT	RONDELLA A PONTE MORSET. TERRA
135	113400000	SEEGER RING Ø20 ISO 7435	ANELLO SEEGER Ø20 ISO 7435
136	020600000	BEARING STOPPER METAL WASHER	RONDELLA PREMILCUSCINETTO. SP=1
137	110100000	SELF TAPPING SCREW TCB+ M3x8 DIN 7500 ZN	VITE AUTOFORMANTE TCB+ M3x8 DIN 7500 ZN
138	111000000	SOCKET HEAD SCREW TE M4x45 DIN 933 8.8 ZN	VITE TE M4x45 DIN 933 8.8 ZN
139	114400000	SPECIAL WASHER 4x22x2 ZN	RONDELLA 4x22x2 ZN SPECIALE
140	114500000	GEAR BLOCKING TAPERED NUT	DADO CONICO BLOCCA INGRANAGGIO

Pos.	Article Code	Description	
141	115100000	SPECIAL WASHER 5x22x2 ZN	RONDELLA 5x22x2 ZN SPECIALE
142	113700000	CYLINDRICAL PLUG. 6x33 DIN7	SPINA CIL. 6x33 DIN7
143	110901000	SOCKET SCREW M6x16 ZN DIN 912 ZN	VITE TCEI M6x16 ZN DIN 912 ZN
144	031950000	BEARING 6005 2RS INOX (FOR MAIN SIDE ELEMENT)	CUSCINETTO 6005 2RS INOX x FIANC. PRINC.
145	043500000	PLASTIC BUSHING	BOCCOLA PLAST. CUSCINETTO INOX
146	043600000	BEARING PLASTIC GASKET 46,8x41x1	GUARNIZIONE PER CUSCINETTO 46,8x41x1
147	057002000	GEAR W/ BEARING. SP411 PA6	INGRAN. C/CUSC. SP411 PA6
150	112000000	WASHER PS 15x22x0,3 DIN 988	RONDELLA PS 15x22x0,3 DIN 988
152	061000000	SET OF GEARS 340/350/420/550/620	GR. INGRANAGGI 340/350/420/550/620
153	230140000	THURMOGREASE HDC 2 1KG	THURMOGREASE HDC 2 1KG
154	031902000	BEARING M.CYL. W/PLAST.BUSH	ASSIEME CUSCINETTO E RONDELLA DI PLASTICA



Pos.	Article Code	Description	
201	180310000	HANDLE SUPPORT 340/420/620	SUPPORTO MANICO 340/420/620
202	140800000	ADJUSTMENT SLIDER	CURSORE DI REGOLAZIONE
203	141900000	FAIRLEAD SUPPORT	SUPPORTO PASSACAVO
204	040900000	FAIRLEAD	PASSACAVO
206	080900000	FRONT COVER RUBBER SEAL. BLACK	CALOTTA x CARTER EST. NERA
207	142000000	FAIRLEAD RELIEF	FERMA PRESSACAVO
208	110200000	PH. BUTTON HEAD SCREW 4.2X13 ISO 7045 ZN	VITE TBTC 4.2X13 ISO 7045 ZN
209	142100000	CABLE RELIEF	FERMACAVO
210	110300000	PH. BUTTON HEAD SCREW 4.2X16 ISO 7045 ZN	VITE TBTC 4.2X16 ISO 7045 ZN AUTOFILETTANTE
211	140266777	PLASTIC PISTON W/ BRASS PIN (ASSEMBLED)	PISTONE CON INSERTO
212	140000000	PLASTIC PISTON LONG LEVER	LEVETTA COMANDO PISTONE LUNGA
213	210601000	PISTON LEVER TIE ROD	TIRANTE PER LEVE LIQUIDO
214	112300000	SELF TAPPING SCREW TCB M4X10 UNI 8112 ZN	VITE AUTOFORMANTE TCB M4X10 UNI 8112 ZN
215	200401000	CLUTCH LEAF SPRING	MOLLA A BALESTRA
216	140400000	CLUTCH FORK	FORCELLA
217	140500000	CLUTCH TRIGGER LEVER	LEVETTA DI INNESTO
218	081300000	MICROSWITCH SB XGA42-86- J42Z1	MICROSWITCH SB XGA42-86- J42Z1
220	081930000	5 PIN TERMINAL BLOCK 6mm <sup>2</sup>	MORSETTIERA 5 POLI 6mm <sup>2</sup>
221	140100000	PLASTIC PISTON SHORT LEVER	LEVETTA COMANDO PISTONE CORTA
222	100400000	TRACTION SPRING. TR 1,3x10x13,5	MOLLA A TRAZ. C/OCCH. ZINC. TR 1,3x10x13,5
223	110901000	SOCKET SCREW M6x16 ZN DIN 912 ZN	VITE TCEI M6x16 ZN DIN 912 ZN
225	040800000	O-RING 3156 ø39,34 SECTION Ø2,62 NBR	O-RING 3156 ø39,34 FILO=2,62 NBR
227	G42008003_00	OUTER CARTER DC	CARTER ESTERNO DC
228	080801000	TEKNA HILT CONNECTION WIRES KIT	CONDUTTORI DI COLLEG. ASS. TEKNA

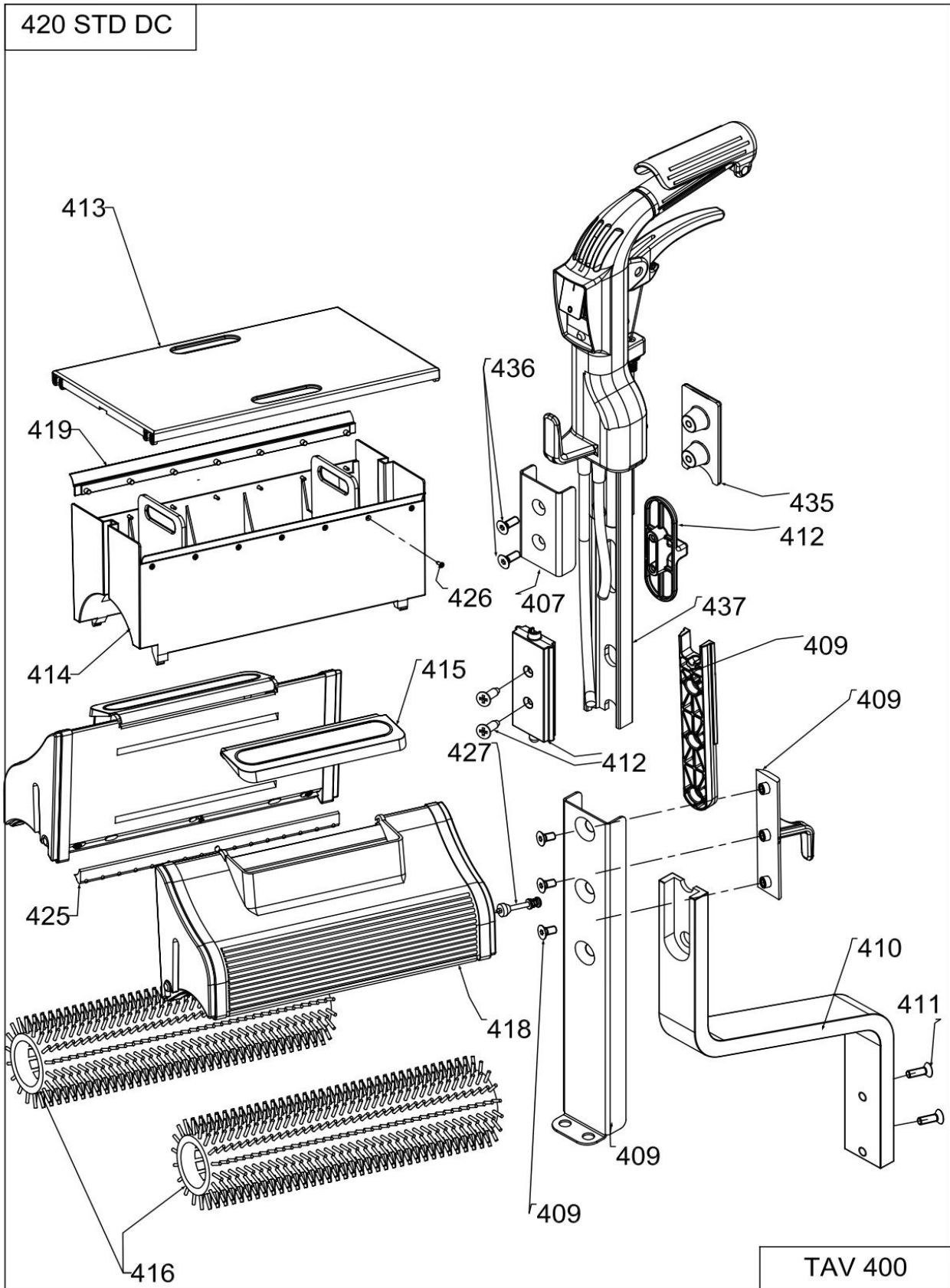
Pos.	Article Code	Description	
228	082466778	OPC HILT CONNECTION WIRES KIT	CONDUTTORI COLLEG. ASS. OPC
229	100300000	ASSEMBLED HANDLE SUPPORT SPRING	MOLLA x CIL. DI SPINTA MONTATA
231	011600000	HANDLE SUPPORT HOLDING PIN	PERNO DEL SUPPORTO MANICO
232	113800000	GALVANIZED KNURLED CYL. PLUG 8x22	SPINA GODRONATA 8x22 ZINCATA
233	113300000	SEEGER RING Ø18 UNI7435	ANELLO SEEGER Ø18 UNI7435
234	140610000	BLACK CAP HW FOR HANDLE SUPPORT	TAPPO HW NERO X SUPPORTO MANICO
235	142200000	STEEL CABLE LEVER	LEVETTA ARTICOLAZIONE CAVO
236	221701000	GRUB SCREW KIT	GR. GRANO X GUAINA/CAVO
238	140300000	WHEEL RISING MECHANISM	ATTIVATORE SOLLEVAMENTO RUOTE
239	081902000	CABLE CLAMP 6mm <sup>2</sup>	PONTICELLO x MORSETTIERA 6mm <sup>2</sup>
241	082000000	2 PIN TERMINAL BLOCK 6mm <sup>2</sup>	MORSETTIERA 2 POLI 6mm <sup>2</sup>
242	081000000	MOTOR PROTECTION SWITCH 16A	SALVAMOTORE 16A
242	081100000	MOTOR PROTECTION SWITCH 4,5A	SALVAMOTORE 4,5A
243	081500000	UNDER CABLE CLAMP PLASTIC	SOTTO MORSETTIERA PA 2 POLI
244	111100000	SELF TAP. PH SCREW. TC+ 2,9x22 ZN DIN 7981-C	VITE AUTOF. TC+ 2,9x22 ZN DIN 7981-C
246	180320000	HANDLE SUPPORT KIT.	SUPPORTO ARTIC. MANICO ASS.
247	100200000	LATCH SYSTEM SPRING	MOLLA x SCROCCO MANICO
248	031200000	Ø5/16"STEEL BALL	SFERA ACCIAIO Ø=5/16"
249	241700000	DUPLEX LABEL 293x54	ETICHETTA RESINATA "DUPLEX" 293x54



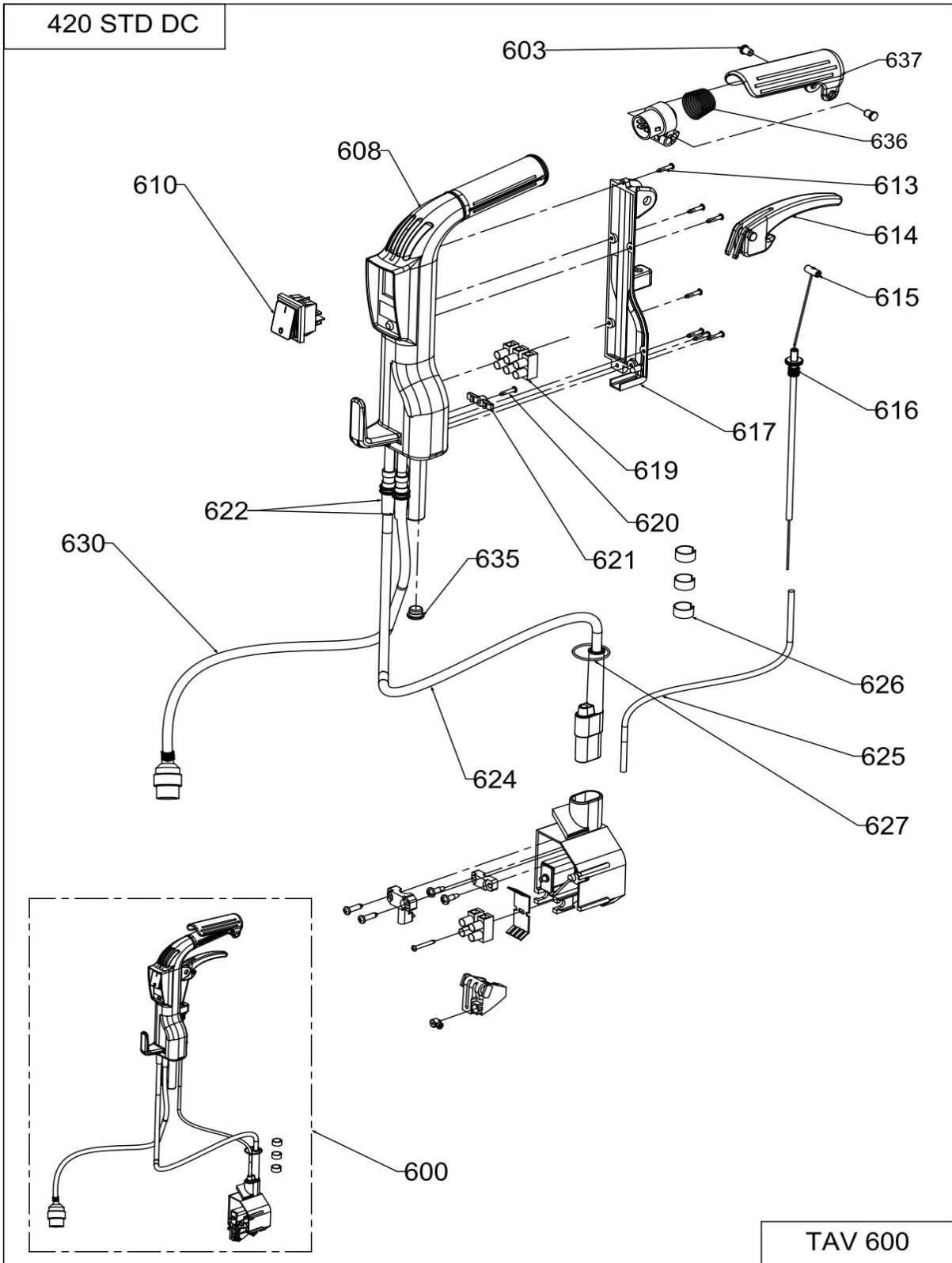
Pos.	Article Code	Description	
301	180210000	POST. SIDE ELEMENT W/HANDLE	FIANCATA POST. C/MANIGLIA
302	200202000	ASSEMBLED INOX COVER W/ BRUSH SUPPORT	CARTER INOX ASSIEMATO
303	S42007001_00	HANDLE KIT	KIT MANIGLIA
304	G42002003_00	MOTOR 420 DC	MOTORE 420 DC
305	150701000	MAIN SIDE BRUSH SUPPORT WHITE	SUPPORTO SPAZZOLA FIANCATA PRINC. BIANCO
305	150802420	MAIN SIDE BRUSH SUPPORT BLACK	SUPPORTO SPAZZOLA FIANCATA PRINC. NERO
306	160501000	PLASTIC MOLDED WHEEL SUPPORT	SUPPORTO RUOTA STAMPATO
307	160600000	NYLON WHEEL	RUOTA IN NYLON
308	012800000	STAINL.STEEL WHEEL SHAFT	ALBERO INOX PER RUOTE
311	180902000	PAINTED CYLINDERS SUPPORT.	SUPPORTO CILINDRI
312	042000000	CONVEYOR NBR BELT 420/350 THK=2,5	CONVOGLIATORE 420/350 SP=2,5 NBR
313	014201000	ENGINE DRIVEN ASS. CYLINDER KIT 420-350	CILINDRO MOTORE 420-350 ASS.
313	014211000	ENGINE DRIVEN ASS. CYL. KIT 420-350 (AUS)	CILINDRO MOTORE 420-350 ASS. (AUS)
315	014001000	IDLE ASSEMBLED CYLINDER KIT 420-350.	CILINDRO FOLLE 420-350 ASS.
316	012201000	CONNECTING SHAFT. 420-350	ALBERO COLLEG. FIANC. 420-350
318	110901000	SOCKET SCREW M6x16 ZN DIN 912 ZN	VITE TCEI M6x16 ZN DIN 912 ZN
319	111501000	SCREW TSPEI M10x20 A2 DIN 7991 A2	VITE TSPEI M10x20 A2 DIN 7991 A2
320	113500000	BENZING RING Ø12	ANELLO BENZING Ø12
322	110700000	BENZING RING Ø8 (WHEELS)	ANELLO BENZING Ø8 (RUOTE)
324	111201000	SCREW TSPEI M8x16 ZN DIN 7991	VITE TSPEI M8x16 ZN DIN 7991
325	150802000	BRUSH SUPPORT ST. STEEL PLATE SIDE	SUPPORTO SPAZZOLA LATO INOX
327	181101000	BRUSH SUPPORT COVER	COPERCHIO PORTASPAZZOLA
328	181201000	BRUSH SUPPORT BASE	BASE SUPPORTO PORTASPAZZOLA
329	800000214	SEEGER RING Ø12 INOX	ANELLO SEEGER Ø12 INOX
330	013901000	ASSEMBLED BUSHING FOR CYL.	BOCCOLA x CILINDRI MONTATA
331	031455000	BEARING 63001 2RS (BRUSH SUPPORT)	CUSCINETTO 63001 2RS x SUPP. SPAZZOLA



Pos.	Article Code	Description	
332	151000000	BRUSH SUPPORT COVER CAP	TAPPO x SUPPORTO SPAZZOLE
371	112733000	WASHER PS 20X28X0,3 DIN988	RONDELLA PS 20X28X0,3 DIN988
372	180230000	BACK SIDE ELEMENT (TEKNA)	FIANCATA POST. TEKNA-ESC. BASE

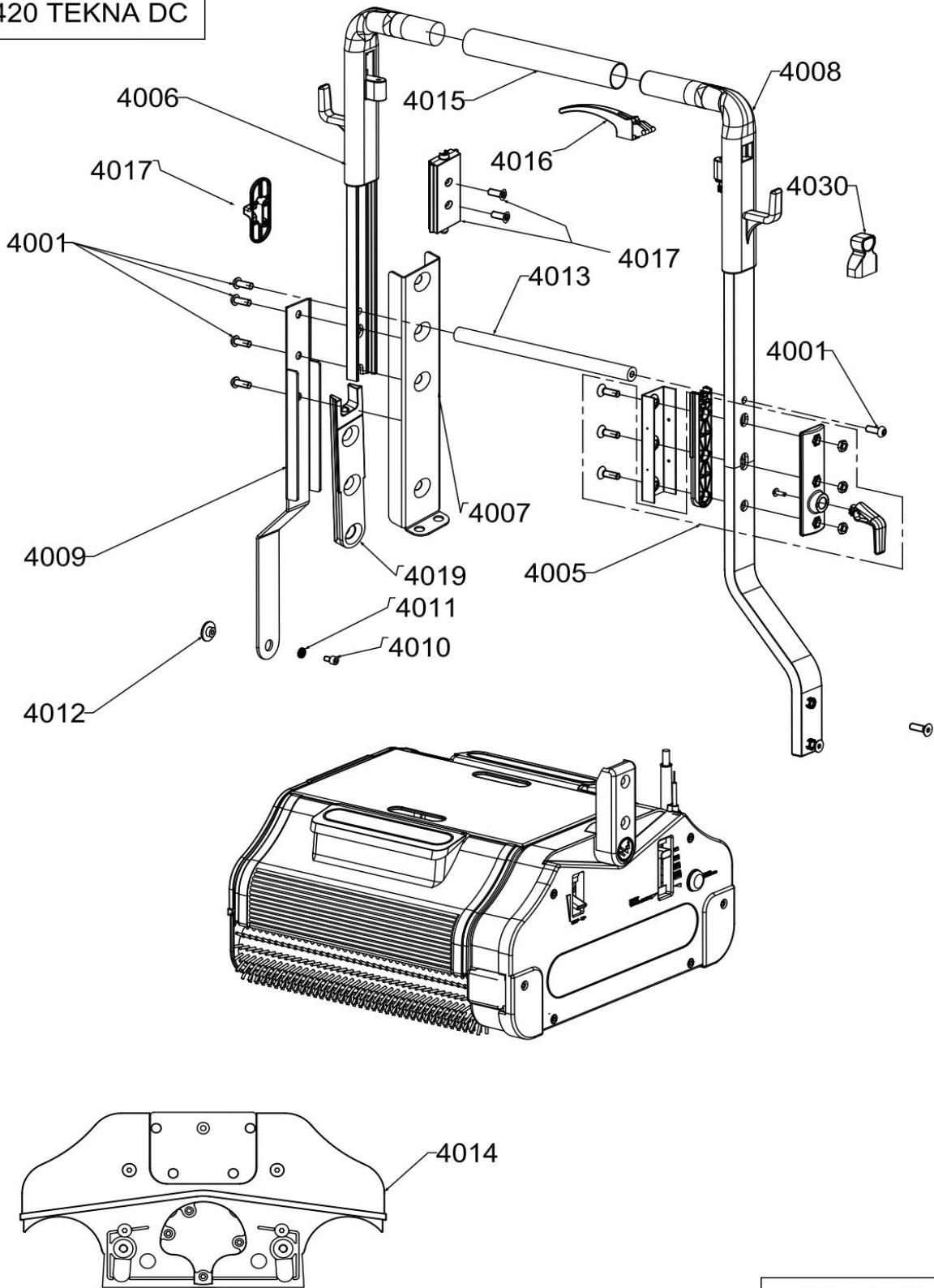


Pos.	Article Code	Description	
406	111201000	SCREW TSPEI M8x16 ZN DIN 7991	VITE TSPEI M8x16 ZN DIN 7991
407	C42020002_00	COVER INOX DC	CUFFIA INOX DC
409	G42020004_00	REVOLVING CABLE HOLDER KIT DC	GRUPPO BITTA GIREVOLE DC
410	G42020003_00	420 DC ELBOW WITH SCREWS	GOMITO 420 DC CON VITI
411	111301000	SCREW TSPEI M8x25 ZN DIN 7991	VITE TSPEI M8x25 DIN7991
412	A42005009_00	BATTERY LOCK ASSEMBLY	ASSIEME BLOCCO BATTERIA
413	170300000	420 RECOVERY TANK COVER	COPERCHIO SERB. RECUP. 420
414	122301000	420 ASSEMBLED RECOVERY TANK.	SERBATOIO RECUP. 420 ASS.
415	170100000	WATER TANK COVER 340/350/420	COPERCHIO SERB. ACQUA 340/350/420
416	190103333	420 BLACK BRUSHES PP. 30	SPAZZOLA 420 SET. NERE PP 0,30
416	190101000	420 TYNEX BRUSHES	SPAZZOLA 420 SET. TYNEX
416	190102000	420 YELLOW BRUSHES PP. 0,12	SPAZZOLA 420 SET. GIALLE PP 0,12
416	190104000	420 GREY BRUSHES PP 0,18	SPAZZOLA 420 SET. GRIGIE PP 0,18
416	190108000	420 BLACK BRUSHES PP 0,50	SPAZZOLA 420 SET. NERE PP 0,50
418	125501000	420 ASSEMBLED BLUE WATER TANK	SERBATOIO 420 BLU ASS.
419	040330000	420-350 TRIMMER W/SCREWS	RASATORE 420-350 CON VITI
425	120701000	420 DRIP CHANNEL W/ SCREW	SET GOCCIOLATOIO 420
426	110800000	SELF TAPPING SCREW TSP CC .2,9X9,5 ISO 7050	VITE AUTOF. TSP+ 2,9x9,5 A2 ISO 7050
427	011410000	WATER TANK PLASTIC VALVE KIT	SET. VALVOLA E ACCESSORI PLASTICA
435	S42005026_00	OPC 340-420 DC FIXING PLATE	PIASTRA DI FISSAGGIO OPC 340/420 DC
436	800000217	SCREW TBCE M6x16 ZN BLACK UNI ISO 7380	VITE TBCE M6x16 ZN NERA UNI 7380
437	I42005015_00	DC HANDLE INSERT	INSERTO IMPUGNATURA DC



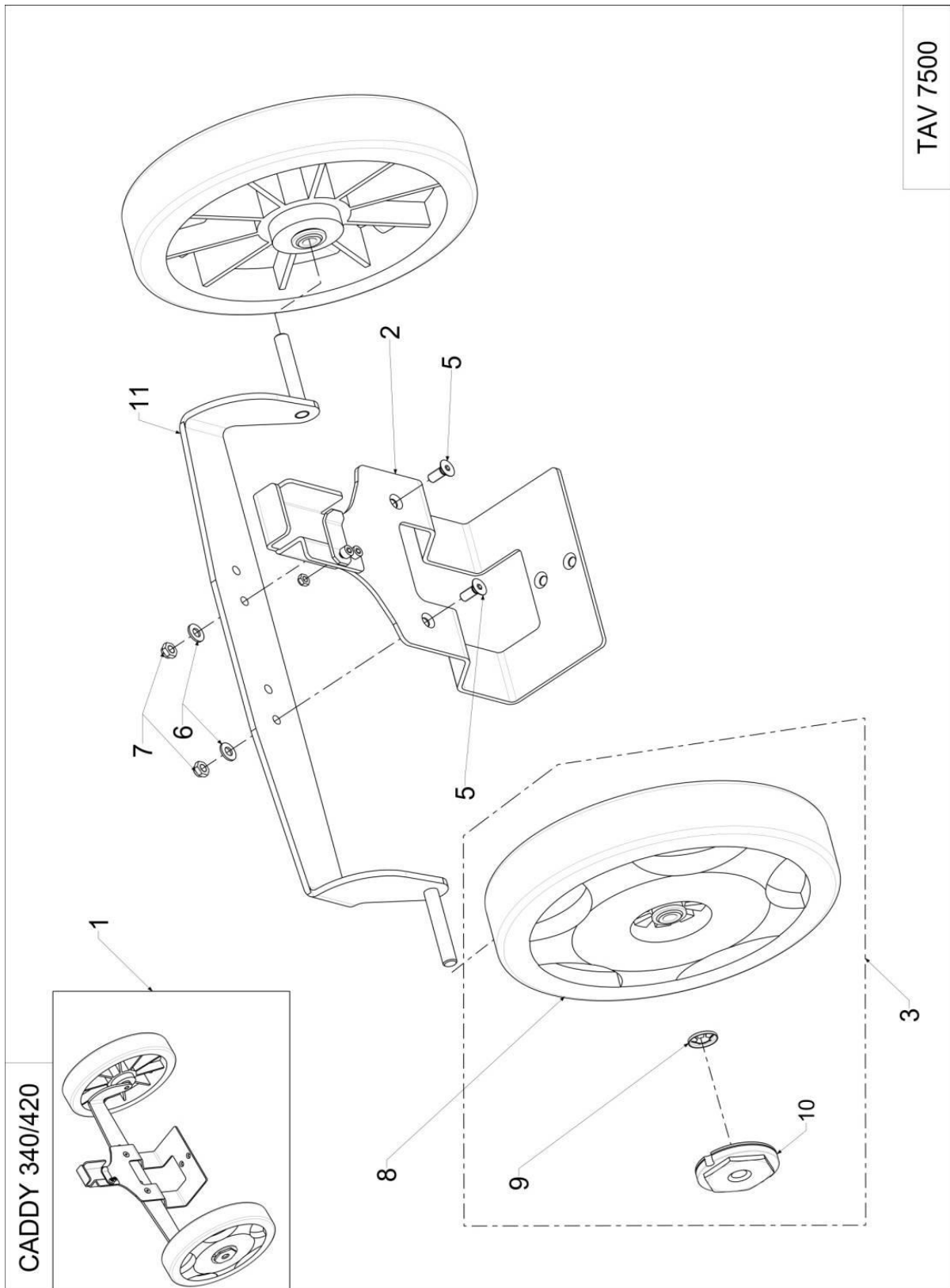
Pos.	Article Code	Description	
600	G42005017_00	HANDLE DC 48 V	IMPUGNATURA DC 48 V
603	A42005001_00	OPC YELLOW LEVER/SWITCH KIT	ASSIEME LEVA/SWITCH OPC GIALLO
608	135200000	OPC BLACK KIT	IMPUGN. OPC NERA
610	084411000	MASK4 RED SWITCH	INTERR. 2P LUM. ROSSO MASK4
613	800000238	SELF TAP. SCREW 2,9x16 ZN BLACK DIN 7981-C	VITE AUTOF. TC+ 2,9x16 ZN NERA DIN 7981-C
614	800001078	WATER RELEASE LEVER	LEVA ACQUA NERA
615	420905001	OPC WATER CABLE END CYLINDER	CILINDRO FISS. CAVO ACQUA OPC
616	221600000	CABLE REGULATOR WITH SHAFT NUT	REGISTRO M6 ZIGR. x GUAINA Ø4,8
617	800001077	OPC BLACK BACK COVER	COPRI IMPUGNATURA OPC NERA
618	245500111	. OPC 340-420-620 "¥-N-L" 16x22 LABEL	ETICH. "¥-N-L" 16x22 x OPC 340-420-620
619	800000315	3 PIN TERMINAL BLOCK 2,5 mm2	MORSETTIERA 3 POLI 2,5 mm2
620	800000253	SCREW TC 3,5X16 ZN DIN 7981 C	VITE AUTOF. TC+ 3,5x16 ZN DIN 7981-C
621	800000098	OPC HILT CABLE CLAMP	FERMACAVO SU IMPUGNATURA
622	040910000	Ø7mm BLACK FAIRLEAD L=42	PASSACAVO PVC NERO Ø7 L=42
624	S42005025_00	CABLE 2x2,5 L=1020	CAVO 2x2,5 L=1020
625	221100000	OPC SHEATH Ø4,8 L=1000	GUAINA Ø4,8 L=1000 x OPC
626	140900000	BLACK NYLON CABLE TIE 4x6	REGGIFILO 4x6 NYLON NERO
627	040700000	NBR O-RING 4131 ø32,92 THK=3,53	O-RING 4131 ø32,92 FILO=3,53 NBR
630	S42005024_00	CABLE 2 x2,5 C/CONNECTOR	CAVO CON CONNETTORE
635	080001786	OPC 3rd HOLE CAP	TAPPO x FORO IMPUGNATURA
636	800000335	VOLUTE SPRING OP.SAFT.HANDLE	MOLLA CONICA PER MANIGLIA
637	800000332	OPERATING SAFETY LEVER	MANIGLIA DI SICUREZZA

420 TEKNA DC



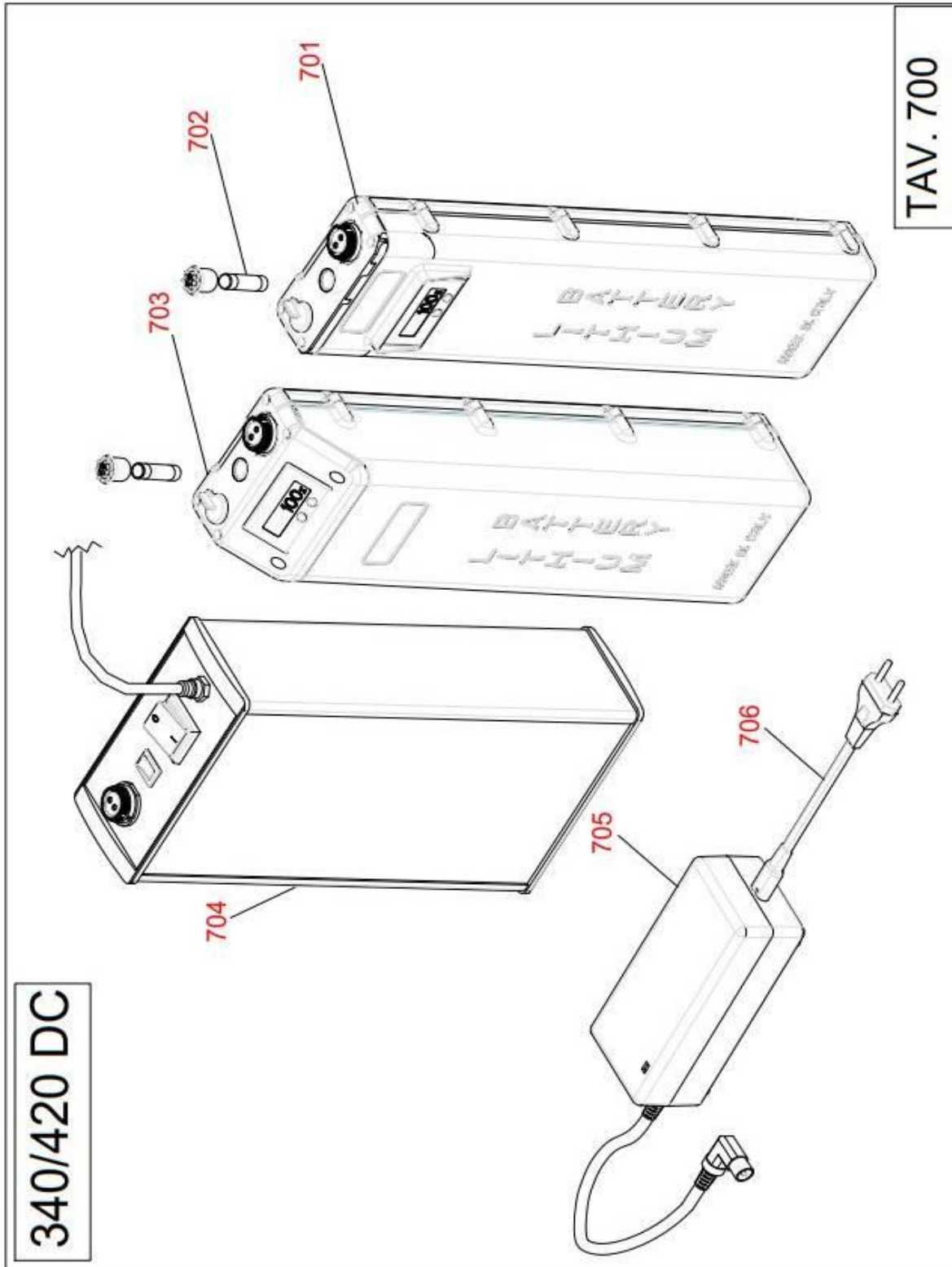
TAV 4000

Pos.	Article Code	Description	
4001	116100000	TCBEI M8x20 A2 ISO 7380 SCREW	VITE TCBEI M8x20 A2 ISO 7380
4005	G42020005_00	TEKNA REVOLVING CABLE HOLDER KIT	GR. BITTA REGGICAVO GIREVOLE TEKNA
4006	S42005027_00	HILT TEKNA SEIES SHORTENED	IMPUGNATURA TEKNA ACCORCIATA DC
4007	C90005002_00	TEKNA DC BATTERY HOLDER BRACKET	STAFFA PORTABATTERIA DC TEKNA
4008	130609000	STD BLACK HILT	IMPUGNATURA STD C/INSERTO
4009	C42005002_00	ELBOW INOX 420 DC TEKNA	GOMITO INOX 420 DC TEKNA
4010	115800000	SCREW TCEI M6x10 ZN DIN 912	VITE TCEI M6x10 ZN DIN 912
4011	114710000	LOCK WASHER. M6 UNI 8842 A ZN	RONDELLA DENT. M6 UNI 8842 A ZN
4012	015877000	TEKNA SPECIFIC HANDLE NUT H=8,4	DADO BASSO x GOMITO TEKNA H=8,4
4013	203600000	ANODIZED HILT SPACER 350/420	DISTANZIALE 420-350 L=259 ANOD.
4014	180230000	BACK SIDE ELEMENT (TEKNA)	FIANCATA POST. TEKNA-ESC. BASE
4015	203500000	STAINLESS STEEL HILT PIPE 350/420	TUBO INOX MANICO 420-350 LUCIDO
4016	130810000	FLUID RELEASE LEVER	LEVA NERA MANIGLIA
4017	A42005009_00	BATTERY LOCK ASSEMBLY	ASSIEME BLOCCO BATTERIA
4019	T42020003_00	BITTA SUPPORT	SUPPORTO BITTA
4030	041601000	CABLE RETAINER	SOSPENSIONE PER CAVO





Pos.	Article Code	Description	
001	420495000	340/420 CADDY	CADDY 340/420
002	456601000	CADDY UPPER FRAME	TELAIO SUPERIORE CADDY
003	452002000	CADDY WHEEL KIT	GR. RUOTA CADDY
005	111700000	SCREW TSPEI M8X20	VITE TSPEI M8X20
006	RONPI81615Z65 92	WASHER 8,4X16X1,5	RONDELLA 8,4x16x1,5
007	112100000	SELF LOCKING NUT M8	DADO M8 AUTOBLOCCANTE
008	452077000	350/550/620 CADDY WHEEL	RUOTA CADDY 350/550/620
009	452003000	Ø12 WHEEL CLAMPING RING	ANELLO ARRESTO Ø12
010	452004000	Ø26 WHEEL CAP	TAPPO FORO Ø26
011	456611000	CADDY BRACKET	STAFFA CADDY



340/420 DC

TAV. 700

701	G42048003_00	BATTERY 48V LITE	BATTERIA 48V LITE
702	FUSEC6321660 127	FUSE 6,3x32 16A	FUSIBILE 6,3x32 16A
703	G42048001_00	BATTERY 48V PRO	BATTERIA 48V PRO
704	G42048002_00	SWITCHING 230/48V W/PLUG SCHUKO	SWITCHING 230/48V C/SPINA SHUKO
704	G42048004_00	SWITCHING 230/48V W/PLUG US	SWITCHING 230/48V C/SPINA USA
704	G42048005_00	SWITCHING 230/48V W/PLUG UK	SWITCHING 230/48V C/SPINA UK
705	CARIC67V5A00 C14	BATTERY CHARGER 5,0A 67,2V SOCKET IEC-320-C14	CARICA BATTERIE 5,0A 67,2V PRESA IEC-320-C14 110/220V
706	CAVSPSHC1360 320	POWER CABLE BATTERY CHARGER WITH IEC-320-C13 + SCHUKO PLUGS	CAVO ALIM. CARICABATTERIE C/SPINE IEC-320-C13 + SCHUKO
706	CAVSPULC1360 320	CAVO ALIM. CARICABATTERIE C/SPINE IEC-320-C13 + US	POWER CABLE BATTERY CHARGER WITH IEC-320-C13 + US PLUGS



**floorwashers - carpetwashers**  
**lavapavimenti - lavamoquettes**



**floorwashers - carpetwashers**  
**lavapavimenti - lavamoquettes**



**floorwashers - carpetwashers**  
**lavapavimenti - lavamoquettes**



**floorwashers - carpetwashers**  
**lavapavimenti - lavamoquettes**



**floorwashers - carpetwashers**  
**lavapavimenti - lavamoquettes**





**floorwashers - carpetwashers**  
**lavapavimenti - lavamoquettes**



**floorwashers - carpetwashers**  
**lavapavimenti - lavamoquettes**





**floorwashers - carpetwashers**  
**lavapavimenti - lavamoquettes**



**floorwashers - carpetwashers**  
**lavapavimenti - lavamoquettes**



**floorwashers - carpetwashers**  
**lavapavimenti - lavamoquettes**



**floorwashers - carpetwashers**  
**lavapavimenti - lavamoquettes**



**floorwashers - carpetwashers**  
**lavapavimenti - lavamoquettes**



**floorwashers - carpetwashers**  
**lavapavimenti - lavamoquettes**





**floorwashers - carpetwashers**  
**lavapavimenti - lavamoquettes**